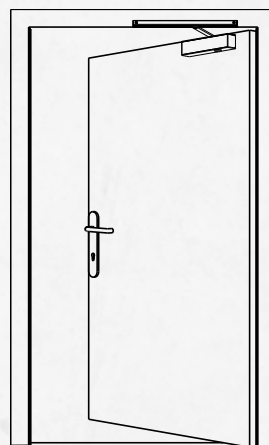


Left adjustment



Right adjustment

NB! Door closers arrive unadjusted. Adjustment after installation works is responsibility of installers.

Adjustment tools:



2.5

2.5 mm hexagon or star shape screwdriver



5

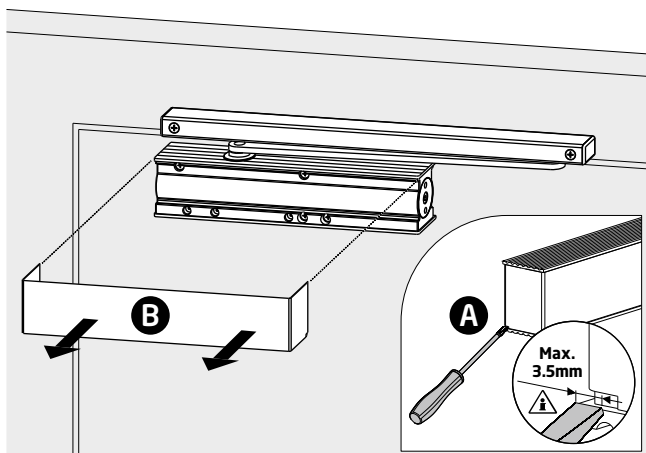
5 mm hexagon



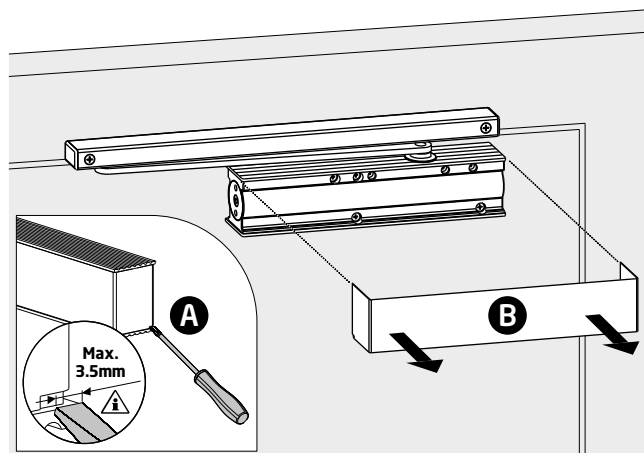
Screwdriver

Step 1

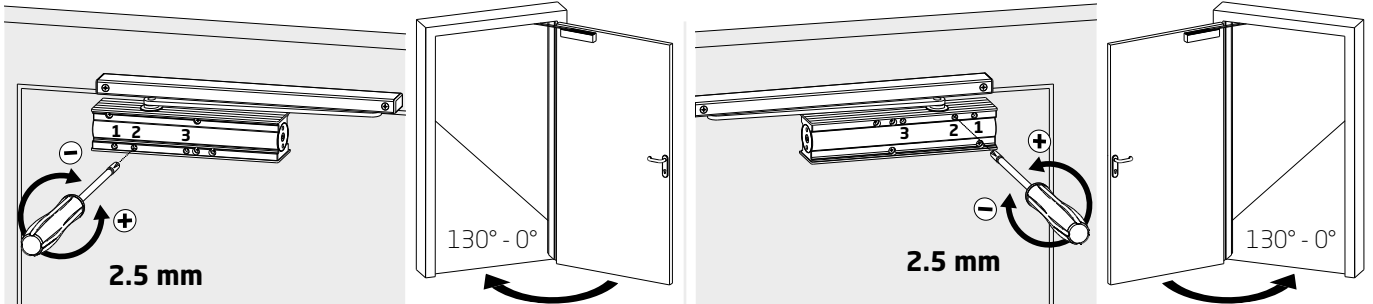
Left adjustment



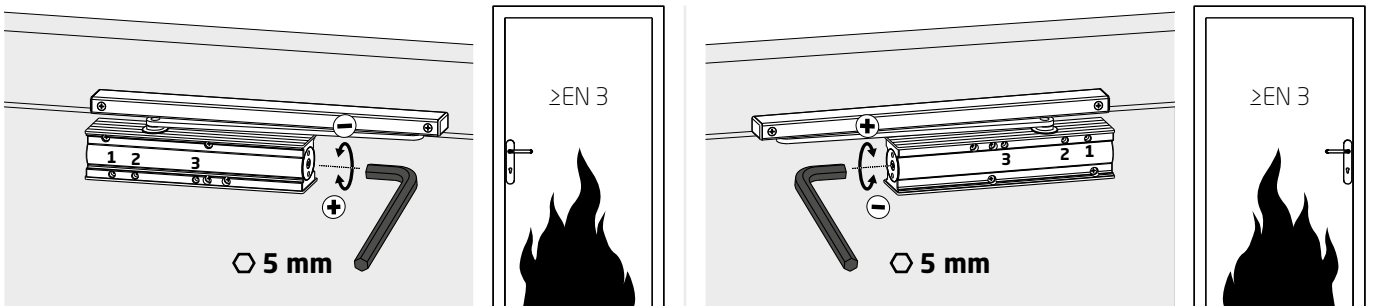
Right adjustment





Step 2 Closing speed

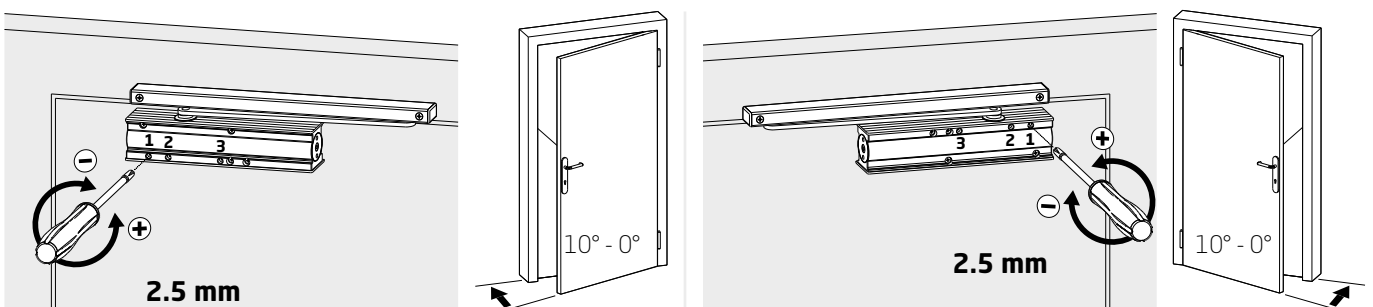


Step 3 Closing force

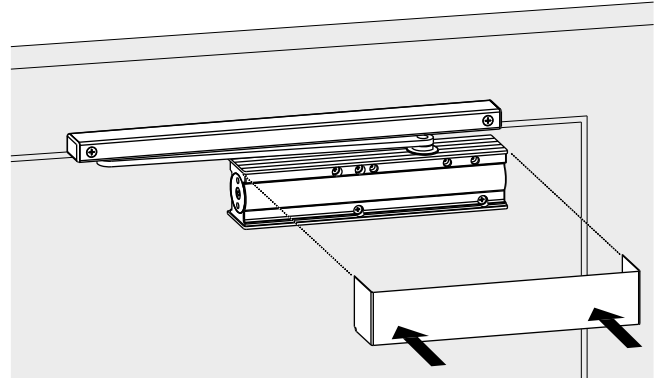
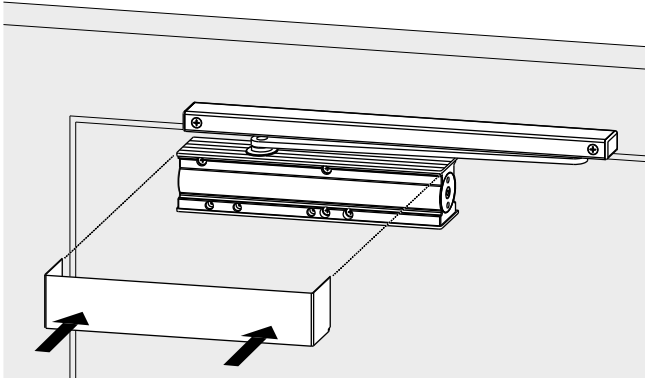


	Closing force	Max. door width	Rotations quantity for adjustment
 DCG800 HO (DA) EN 2-5	2	850 mm	-5
	3	950 mm	0
	4	1100 mm	+7
	5	1250 mm	+15
 DCG800 HO (DA) EN 5-6	5	1250 mm	0
	6	1400 mm	+6

Step 4 Latching speed



Step 5



Step 6 Adjustment of sash opening stopper.

