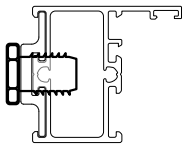


General information about completion of delivery:

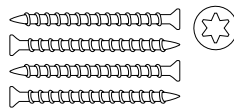
- Windows arrive fully assembled with installed glass from the factory.
- Holes for installation will be predrilled and adjufixes attached on the frame.
- Preparation and insulation of openings of the building should be defined before installation works. It is responsibility of the customer, architect and dealer.

Installation material:



1. Adjufix

Required quantity is already attached to the frame.



2. Screws

For fastening brackets to the wall. Not included in delivery.



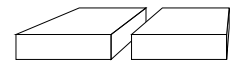
3. Caps

For covering predrilled holes. Included in delivery.



4. Wedges

Use stable, waterproof material, eg plastic. Not included in delivery.



5. Bearing pads

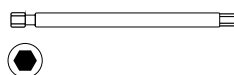
Use stable, waterproof material, eg plastic. Not included in delivery.

Installation tools:

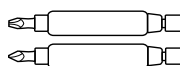
Not included in delivery



1. Cordless screwdriver



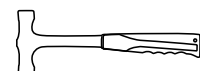
2. Hexagonal screwdriver bit.



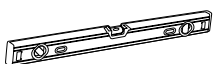
3. Magnetic bits



4. Drill



5. Light hammer



6. Spirit level

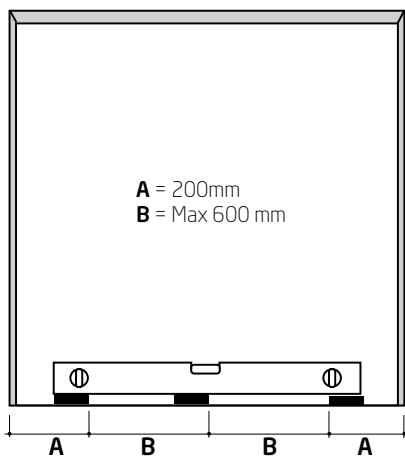


7. Angle

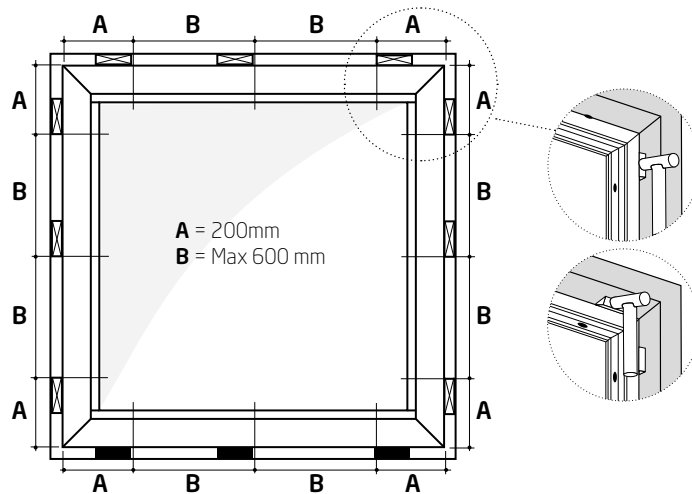
Step 1

Window installation to the opening



If possible, depending on situation on site while fixing the frame, opened window sash can be supported with no need to remove it out of the frame. If there is no support possibility, please follow sash removal instruction.



Step 1.1 Place bearing pads at the bottom of the opening next to each fixing point on the window (A) and (B). If window width is less than 1000 mm, bearing pads are only needed in position (A). Ensure they are level.

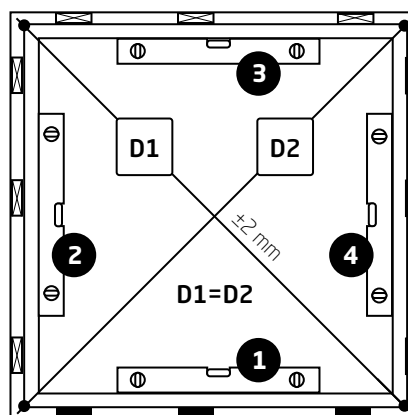


Step 1.2 Fix the frame with wedges. Wedges must be positioned next to each fixing point on the window.

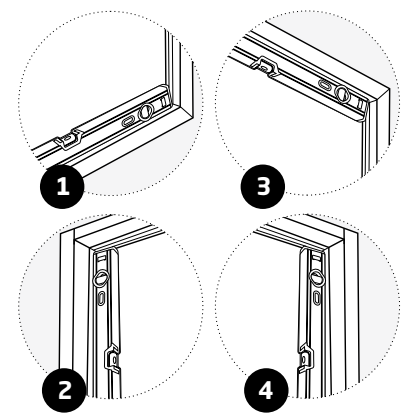
-  = Wedges
-  = Bearing pads

NB! The gap between the frame and the wall is recommended to leave: 15-20 mm

Step 1.3 Ensure horizontal and vertical leveling of the frame.

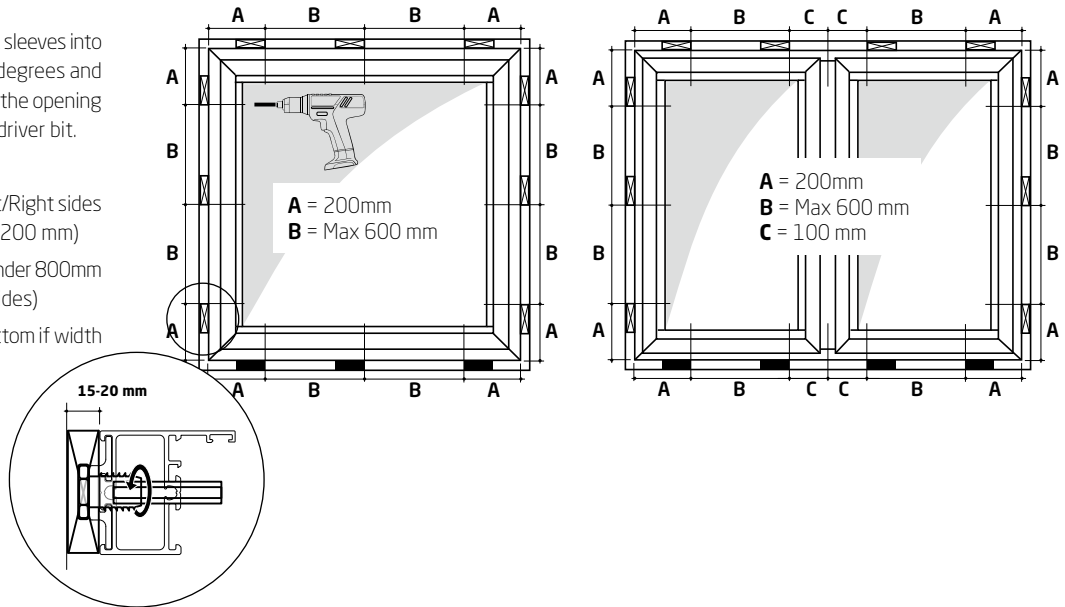


D = Diagonals



Step 1.4 Fix the frame with adjufix sleeves into the opening. Open the sash in 90 degrees and support it while fixing the frame to the opening with the help of Hexagonal screwdriver bit.

- Only two fixing points on the Left/Right sides for height under 1300 mm. (A = 200 mm)
- A = 100 mm for window height under 800mm (Applies only to the Left/Right sides)
- No fixing points at the top and bottom if width is under 1000 mm



Step 2

Fasten the window to the wall

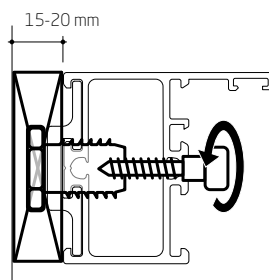
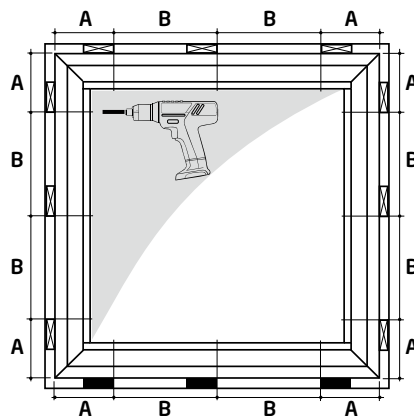
Step 2.1 Screw bolts through the adjufix sleeves. Recommended distance and depth of drilling to the type of the wall is shown to the right. Cover predrilled holes with caps.

Step 2.2 Ensure horizontal and vertical leveling of the frame. (according to Step 1.3)

Step 2.3 Install the sash back to the frame if it was removed before installation. Follow the sash installation instruction.

Step 2.4 Check the functionality of sash. Adjust if needed

NB! All the bearing pads and wedges should be left in places!



Depth of drilling according material:

100	90	80	70	60	50	40	30	mm
								Concrete (30 mm)
								Limestone bricks (40mm)
								Solide bricks (40 mm)
								Light Concrete (50 mm)
								Wood (50 mm)
								Porous Concrete (60 mm)
								Hole Bricks (100 mm)

It is not recommended to fasten aluminium doors/windows into wooden carcass due to the high risk of wood deformation due to environmental impact (Cold/Heat)