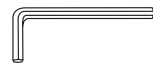
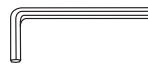


Tools needed:



3
3 mm hexagon



6
6 mm hexagon



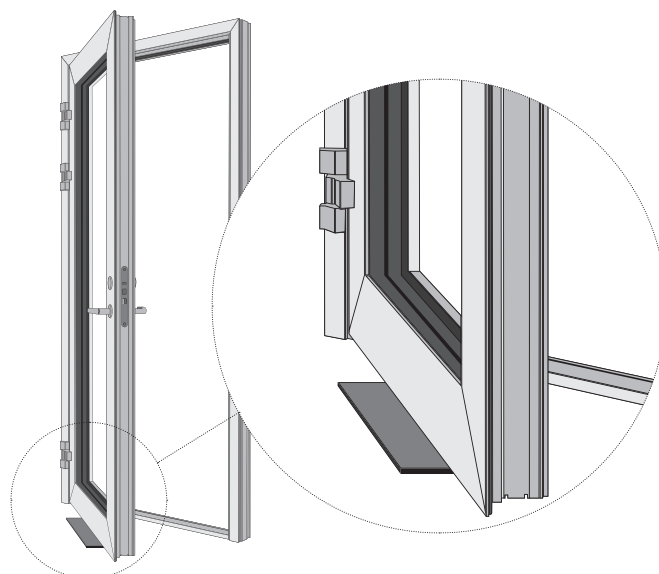
Screw driver



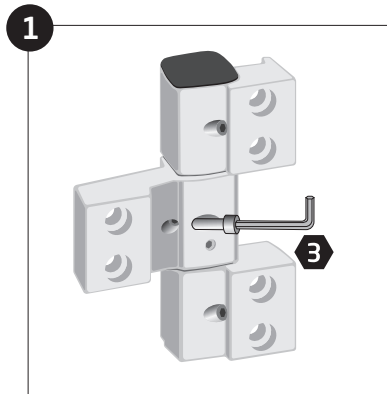
Cordless
screwdriver

Step 1. Door sash with universal hinges removal

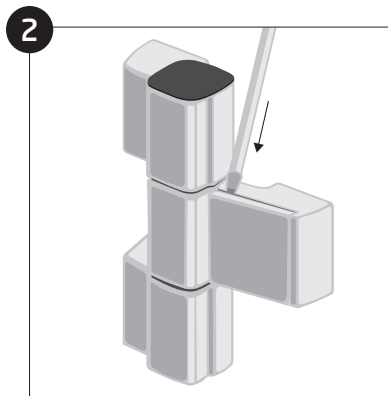
Step 1.1 Open the sash and support it.



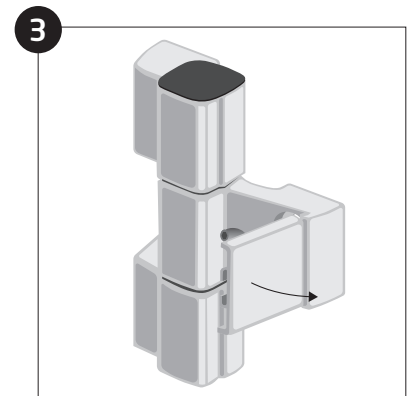
Step 1.2 Release screw holding hinge cover (turn anticlockwise) with the help of 3 mm hexagonal screwdriver bit (Each hinge).



Step 1.3 Remove cover of the hinge (Each hinge)

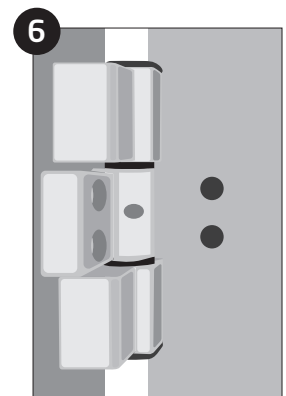
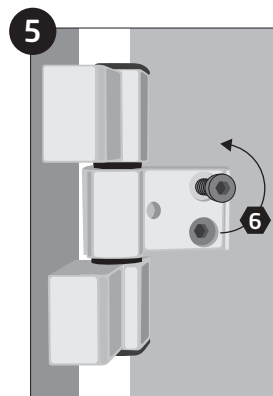
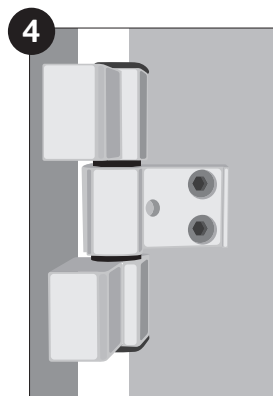


Insert thin screwdriver (Or knife) in the gap between hinge housing and cover. Tool should be inserted closer to the pin as possible.

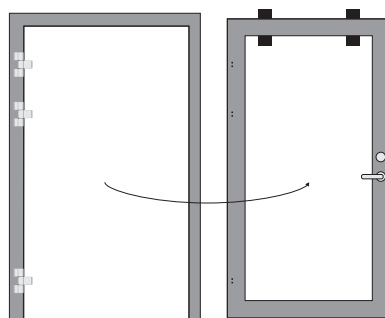


Turn screw driver (Or knife) to the side and remove the cover.

Step 1.4 Unscrew both screws for each hinge (turn anticlockwise) with the help of 6 mm hexagonal screwdriver bit (Each hinge).

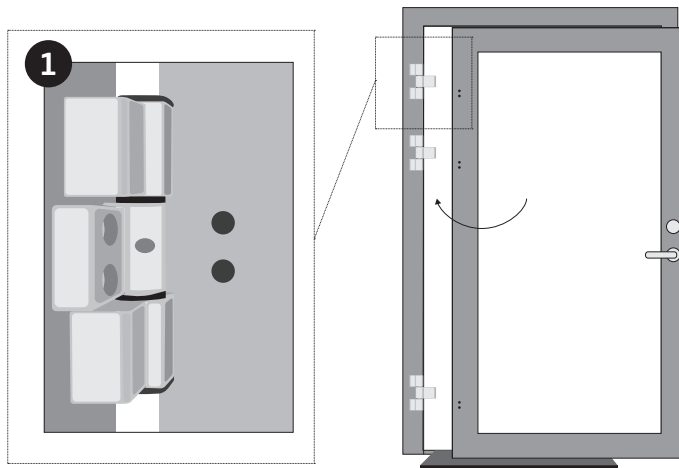


Step 1.5 Remove the sash and place it safely (vertical support recommended)

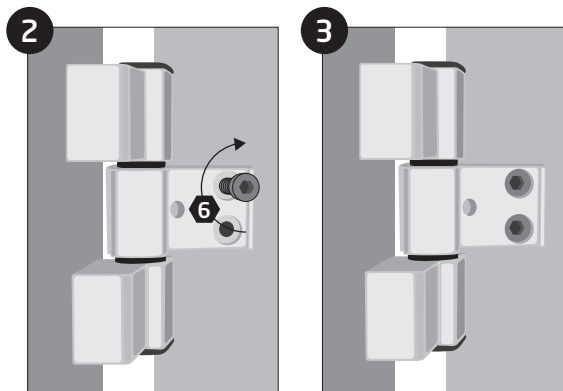


Step 2. Door sash with universal hinges installation

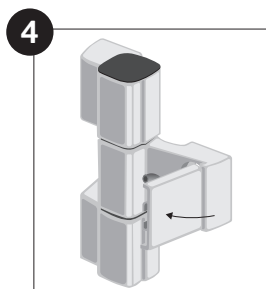
Step 2.1 Fit the sash back to the frame. Underneath support is needed.



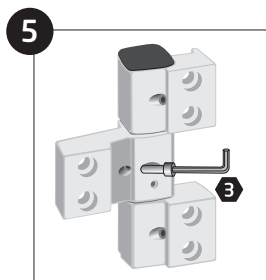
Step 2.2 Fix all the hinges with screws (turn clockwise) with the help of 6 mm hexagonal screwdriver bit.



Step 2.3 Fit back hinges covers one by one.



Step 2.4 Fix screw holding hinge cover (turn clockwise) with the help of 3 mm hexagonal screwdriver bit (Each hinge).



Step 2.5 Check operation of the sash. Adjust if needed.