

### General information about completion of delivery:

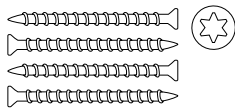
- Doors arrive fully assembled with installed glass from the factory.
- Required quantity of mounting brackets (art. nr. C02077) are packed separately in a box together with screws for fastening to the frame (art. nr. 12165). Screws for brackets fastening to the wall are not included.
- Preparation and insulation of openings of the building should be defined before installation works. It is responsibility of the customer, architect and dealer.
- Important! The parts are not carrying. External weight must therefore not stress the construction. In the case of an expected deflection from the upper structure, the upper part should be fixed with a twist-iron without a stiff clamping. In the case of very small, or no deflections occur from the upper structure, a stiff attachment can be used.

### Installation material:



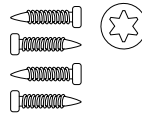
#### 1. Brackets (C02077)

Required quantity included in delivery



#### 2. Screws

For fastening brackets to the wall. Not included in delivery.



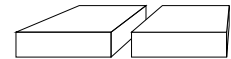
#### 3. Screws (12165)

For fastening brackets. Required quantity included in delivery.



#### 4. Wedges

Use stable, waterproof material, eg plastic. Not included in delivery.



#### 5. Bearing pads

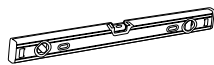
Use stable, waterproof material, eg plastic. Not included in delivery.

### Installation tools:

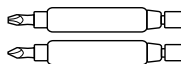
Not included in delivery.



#### 1. Cordless screwdriver



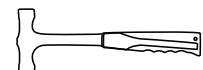
#### 2. Spirit level



#### 3. Magnetic bits



#### 4. Drill

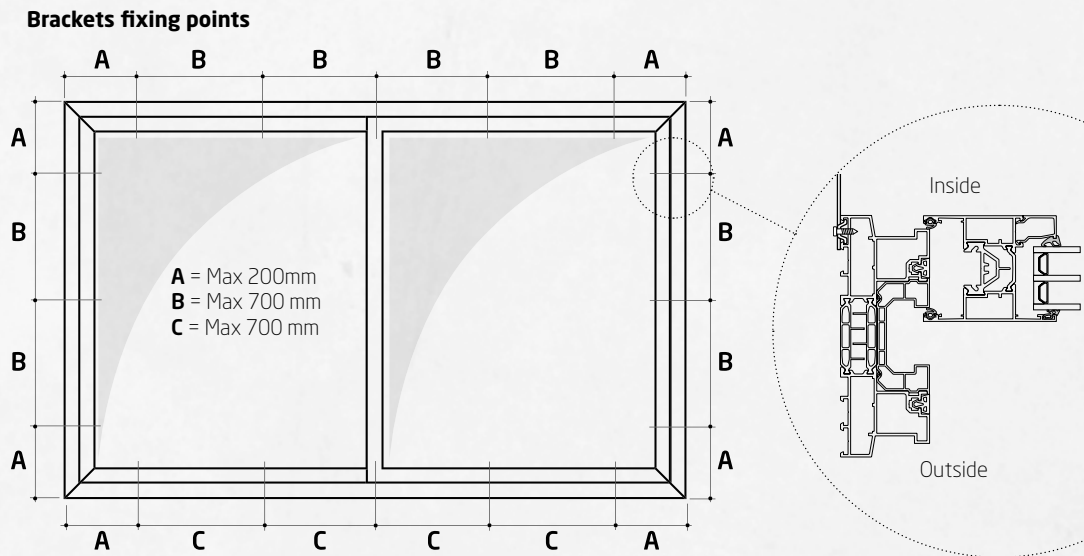


#### 5. Light hammer

#### 6. String or laser for leveling

### Sliding door preparation

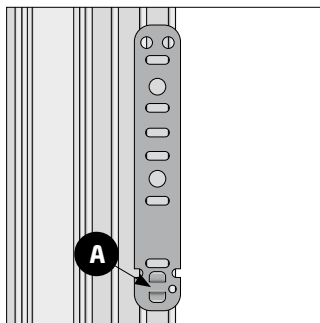
Fasten all required brackets to the frame according to the instructions below.



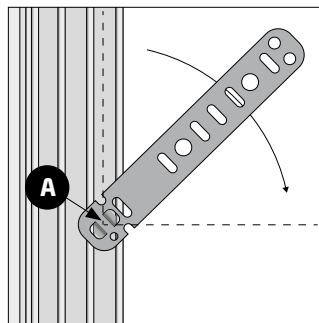
### Step 1

#### Bracket fastening steps

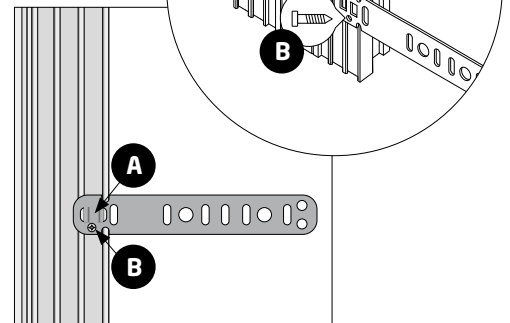
Fasten mounting brackets (C02077) to the frame by screws 12165.



**Step 1.1** Bracket should be fitted in one line of the profile. Bracket "knobs" should be fitted in the grooves (A).



**Step 1.2** Turn the bracket in 90 degrees.

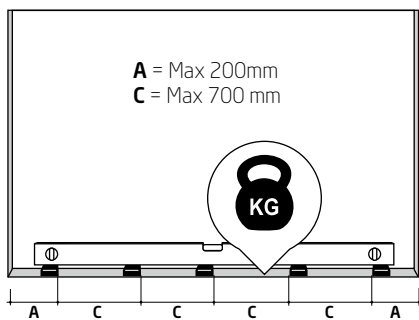


**Step 1.3** The bracket should be fastened to the frame with screw. One pc./bracket (B).

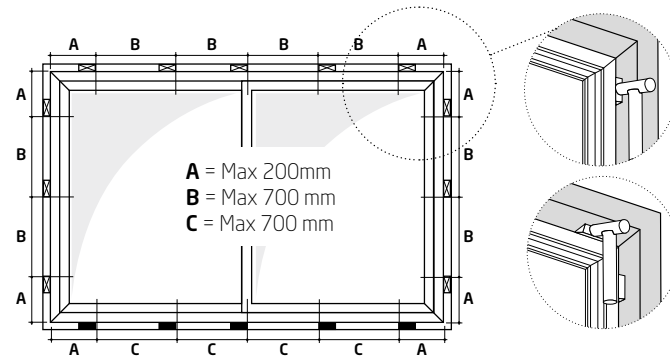
**NB!** It is not needed to fasten the mounting brackets with screws at the bottom frame.

### Step 2 Door installation to the opening



Prepare the opening for installation. The entire base under threshold must be flat and level. Base must be tight/steady and tolerate heavy weight.



**Step 2.1** Place bearing pads at the bottom of the opening next to each fixing point on the door. The number of bearing pads must correspond to the number of fixing points. Ensure they are level.

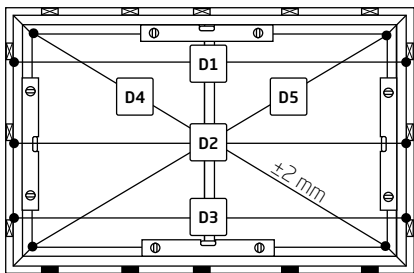


**Step 2.2** Fix the frame with wedges into the wall opening. Wedges must be positioned next to each fixing point on the frame.

-  = Wedges
-  = Bearing pads

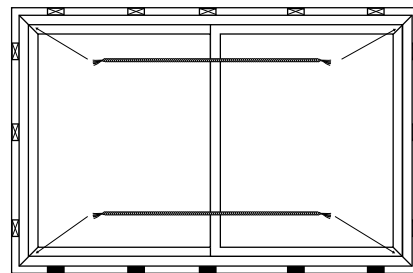
**NB!** The gap between the frame and the wall is recommended to leave: 10-20 mm

**Step 2.3** Ensure horizontal and vertical leveling of the frame.



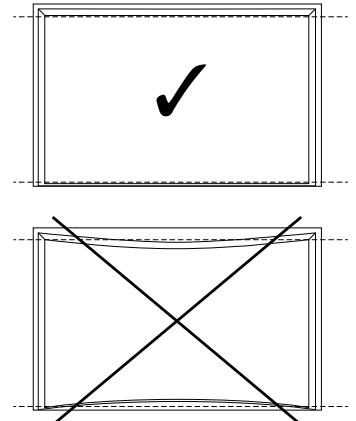
D = Distance D1=D2=D3 D4 = D5 (±2 mm)

Level out using a spirit level



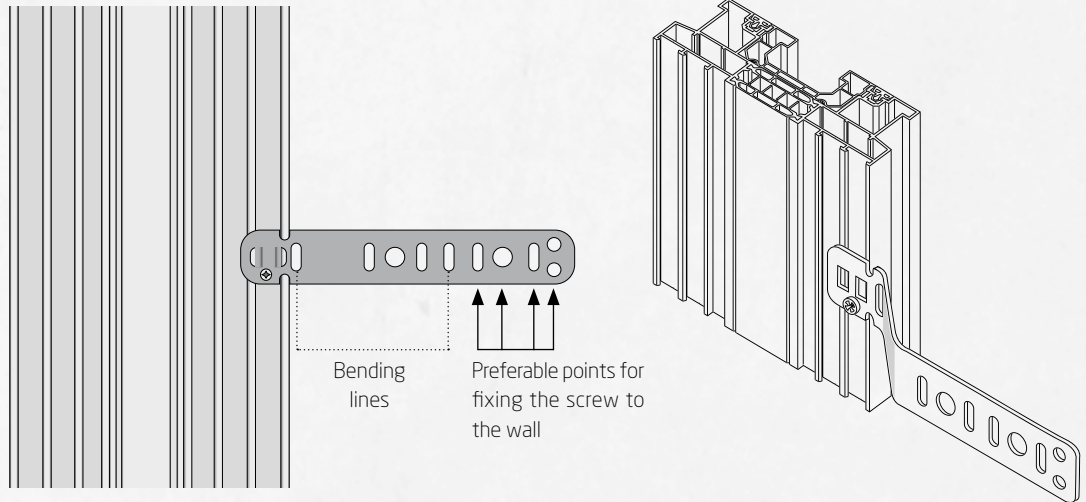
In a case of wide frame profiles, top and bottom frame leveling can be checked by using laser or string.

Straighten string from one side to another to see if whole profile is level.



### Bracket bending

Bend all the brackets in an required angle to fit the distance to the wall



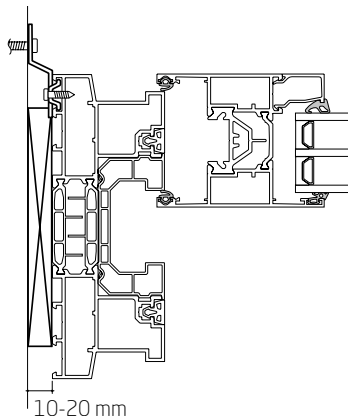
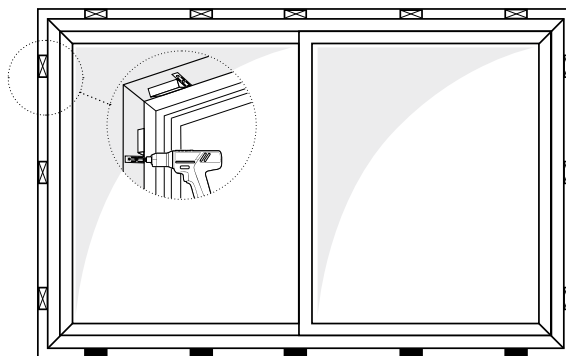
### Step 3 Fasten the sliding door

**Step 3.1** Screw bolts through brackets. Recommended distance and depth of drilling according to the type of the wall is shown in the scheme to the right.

**Step 3.2** Ensure horizontal and vertical leveling of the frame. Follow STEP 2.3 instructions.

**Step 3.3** Check functionality of sliding sash.

**Step 3.4** Seal the gap between the frame and wall.



Depth of drilling according material:

100:90:80:70:60:50:40:30 | mm

Material	Drilling Depth (mm)
Concrete	30 mm
Limestone bricks	40 mm
Solide bricks	40 mm
Light Concrete	50 mm
Wood	50 mm
Porous Concrete	60 mm
Hole Bricks	100 mm

It is not recommended to fasten doors into wooden carcass due to the high risk of wood deformation due to environmental impact (Cold/Heat)

**NB!** All the bearing pads and wedges should be left in places!