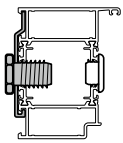


General information about completion of delivery:

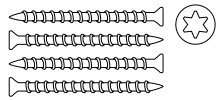
- If possible, doors arrive fully assembled with installed glass from the factory. If product arrives unglazed, follow glass unit installation manual.
- Holes for installation will be predrilled and adjufixes attached on the frame.
- Preparation and insulation of openings of the building should be defined before installation works. It is responsibility of the customer, architect and dealer.

Installation material



1. Adjufix

Required quantity is already attached to the frame.



2. Screws

For fastening brackets to the wall. Not included in delivery.



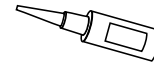
3. Caps

For covering predrilled holes. Included in delivery.



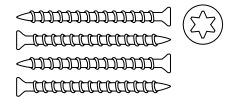
4. Wedges

Use stable, waterproof material, eg plastic. Not included in delivery.



5. Joint glue, eg. "Viscoseal 6958R".

Not included in delivery



6. Screws for threshold fastening.

Stainless steel, A2
M5, 100 mm
Required quantity included in delivery

Installation tools

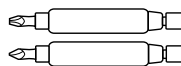
Not included in delivery.



1. Cordless screwdriver



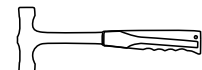
2. Hexagonal screwdriver bit.



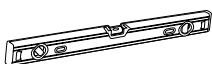
3. Magnetic bits



4. Drill



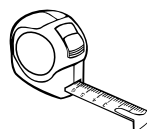
5. Light hammer



6. Spirit level



7. Angle

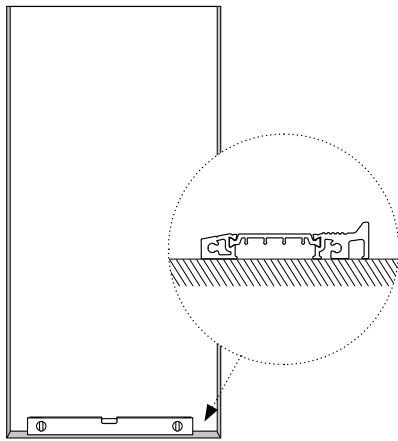


8. Tape-measure

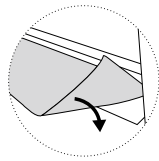
Step 1

Door installation to the opening

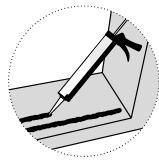
If possible, depending on situation on site, while fixing the frame, opened sash can be supported with no need to remove it out of the frame. If there is no support possibility, please follow sash removal instruction.



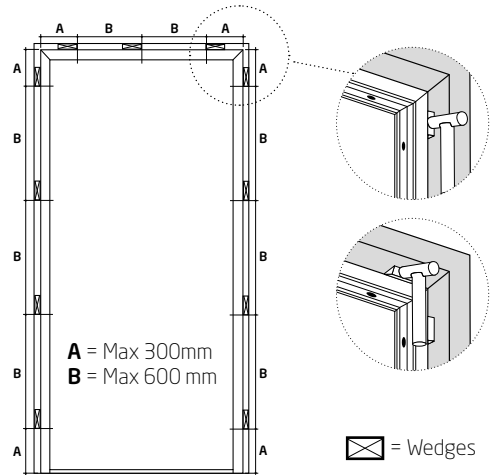
Step 1.1 Prepare the opening for installation. The entire base under threshold must be flat and level.



If the base is of concrete a DPC must be placed under the whole length of the threshold.



Use a hardening mastic in two runs between threshold and the base over the whole length.

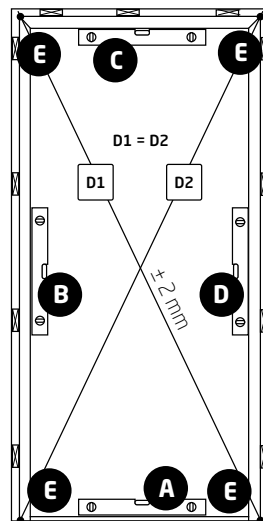


Step 1.2 Fix the frame with wedges.

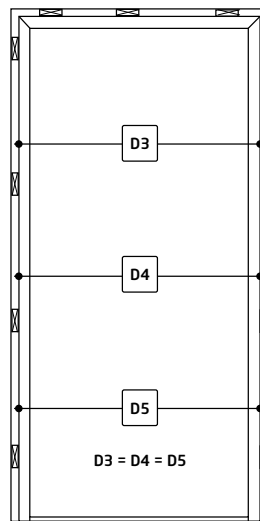
Wedges must be positioned next to each fixing point on the window.

NB! The gap between the frame and the wall is recommended to leave: 15-20 mm

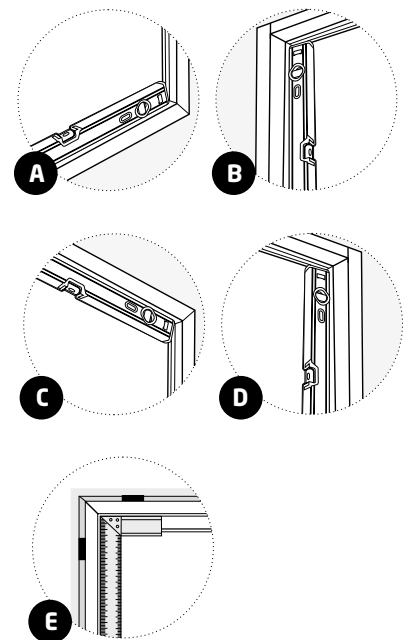
Step 1.3 Ensure horizontal and vertical leveling of the frame.



Frame jambs must be square and plumb in both directions and the diagonals (D1 and D2) should be identical.



Check the rebate widths are equal across the hinge and locking points (D3, D4 and D5).

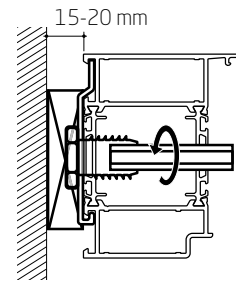
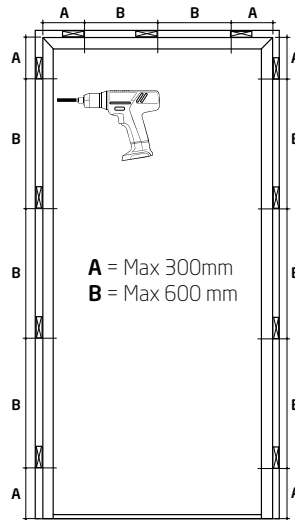


Step 1.4 Fix the frame with adjufix sleeves into the opening. Open the sash in 90 degrees and support it while fixing the frame to opening with the help of Hexagonal screwdriver bit. Start from the hinges side!

NB! It is not necessary to fasten top frame if width is under 1200 mm

Attention!

Always use wedges or setting blocks between door frame and wall regardless of chosen installation alternative.



Step 2

Fasten the door to the wall

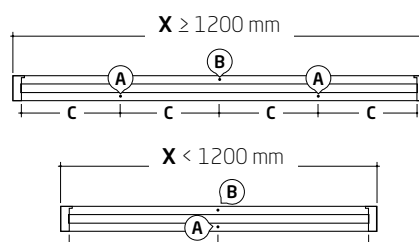
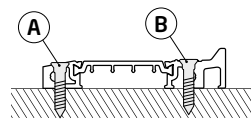
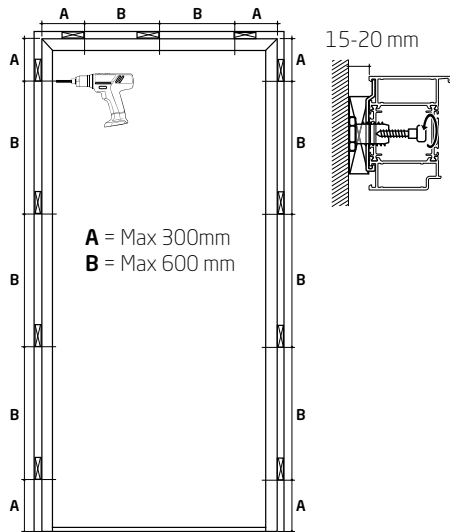
Step 2.1 Screw bolts through adjufix sleeves on the frame. Recommended distance and depth of drilling according to the type of the wall is shown in the scheme on the right. Cover pre-drilled holes with caps for finishing.

Step 2.2 Fasten the threshold. Screw bolts through predrilled holes on the threshold (8 mm holes will be predrilled in the factory) according scheme. Seal the screws with joint glue, eg. "Viscoseal 6958R".

NB! It is not necessary to fasten top frame if width is under 1200 mm

Step 2.3 Ensure horizontal and vertical leveling of the frame. Follow STEP 1.3 instructions.

Step 2.4 Install the sash back to the frame if it was removed before installation. Follow the sash installation instruction.



Depth of drilling according material:

100|90|80|70|60|50|40|30| mm

Material	Depth of drilling (mm)
Concrete	30 mm
Limestone bricks	40 mm
Solide bricks	40 mm
Light Concrete	50 mm
Wood	50 mm
Porous Concrete	60 mm
Hole Bricks	100 mm

It is not recommended to fasten doors into wooden carcass due to the high risk of wood deformation due to environmental impact (Cold/Heat)

Step 2.5 Adjust tightness of the sash:

Check door leaf and frame

Make sure door leaf and frame flush with each other.

The distance should be $5 +1/-2$ mm on all edges of the door leaf.

Note that the distance to the floor varies depending on the type of threshold.

Consult the production drawing for the project in question.

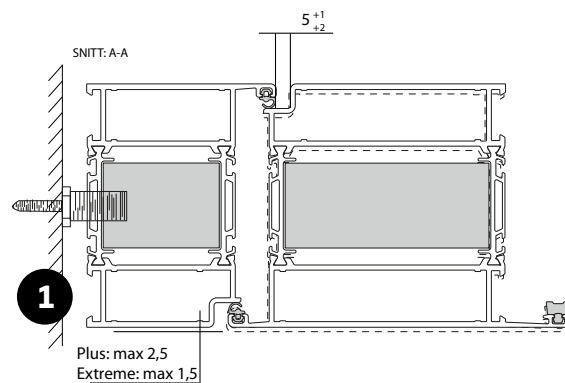
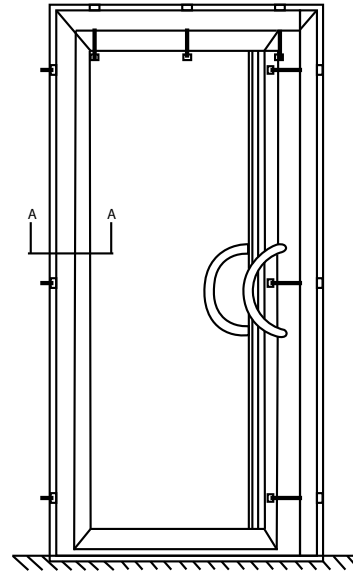
Additional information for Door 2086 Plus and Extreme:

In order to maintain correct pressure against the sealing strip, the end piece should be adjusted so that the deflection of the door leaf is limited to:

max. 2,5 mm for Door 2086 Plus

max. 1,5 mm for Door 2086 Extreme

Illustrasjon 1

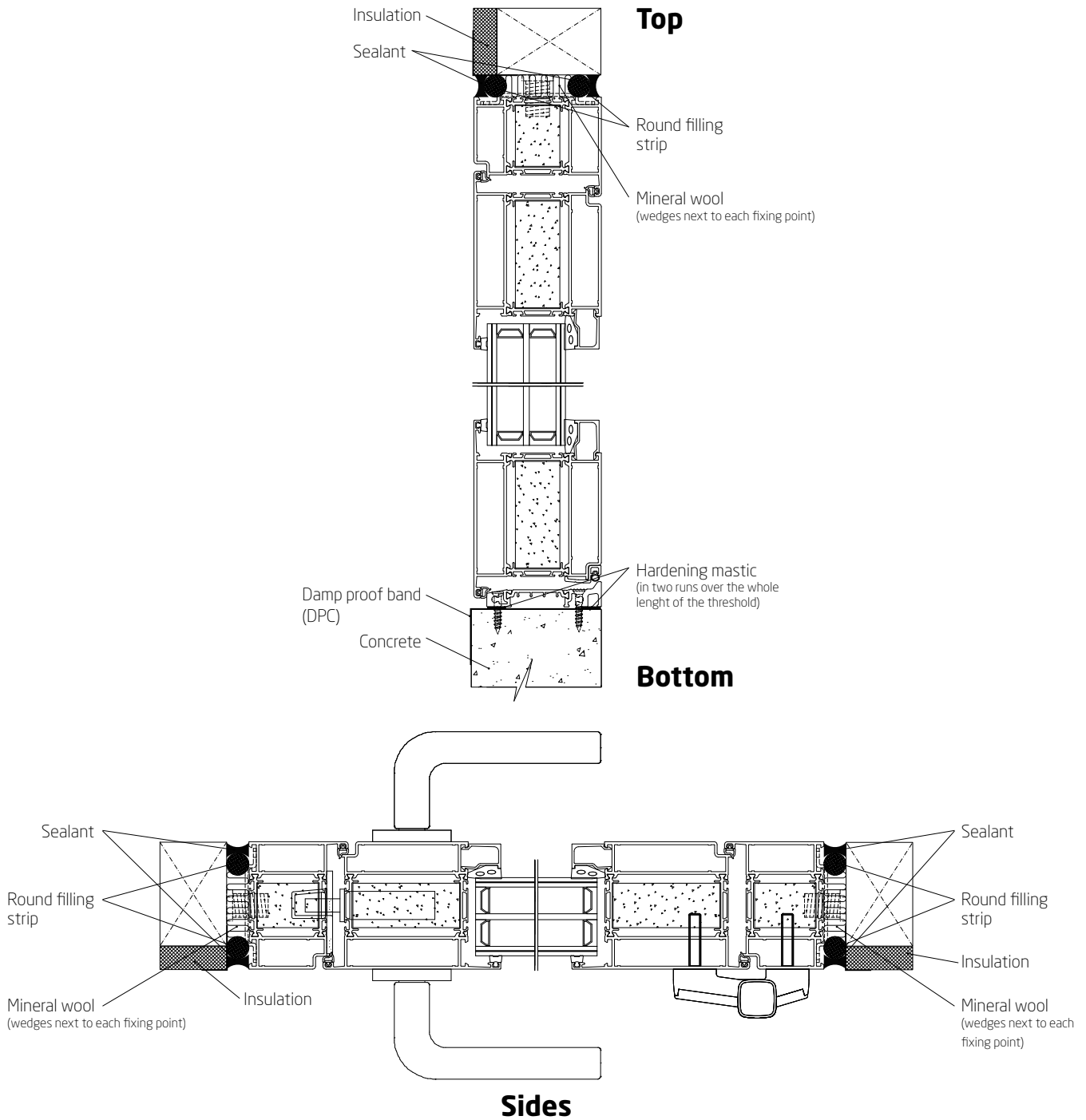


Step 2.6 Seal the gap between the frame and wall

Step 2.7 Check the functionality of sash. Adjust if needed.

NB! All the bearing pads and wedges should be left in places!

HelAlu Entrance doors sealing recommendations



- Principle of the sealing can vary depending on the type of the wall, where construction is installed in.
- Product should not protrude outside the insulation zone of the wall.
- Water run-off, wind/draught proofing between frame and wall must be carried out in accordance with byggforsk Norway details.