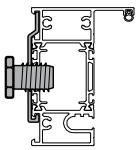


### General information about completion of delivery:

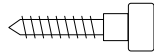
- Doors arrive fully assembled with installed glass from the factory.
- Holes for installation will be pre-drilled and adjufixes attached on the frame.
- Preparation and insulation of openings of the building should be defined before installation works. It is responsibility of the customer, architect and dealer.
- Important! The parts are not carrying. External weight must therefore not stress the construction. In the case of an expected deflection from the upper structure, the upper part should be fixed with a twist-iron without a stiff clamping. In the case of very small, or no deflections occur from the upper structure, a stiff attachment can be used.

### Installation material:



#### 1. Adjufix

Required quantity is already attached to the frame.



#### 2. Screws

For fastening adjufix to the wall. Not included in delivery.



#### 3. Caps

For covering predrilled holes. Included in delivery.



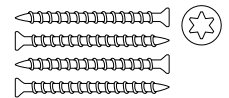
#### 4. Wedges

Use stable, waterproof material, eg plastic. Not included in delivery.



#### 5. Joint glue, eg. "Viscoseal 6958R".

Not included in delivery



#### 6. Screws for threshold fastening.

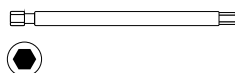
Stainless steel, A2  
M5, 100 mm  
Required quantity included in delivery

### Installation tools:

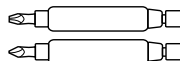
Not included in delivery.



#### 1. Cordless screwdriver



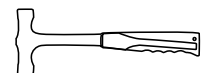
#### 2. Hexagonal screwdriver bit.



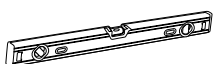
#### 3. Magnetic bits



#### 4. Drill



#### 5. Light hammer



#### 6. Spirit level

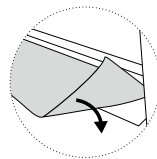
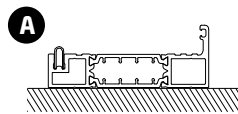
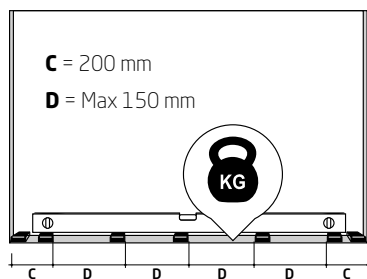


#### 7. String or laser for leveling

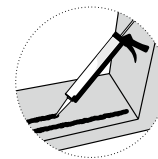
### Step 1

#### Door installation to the opening

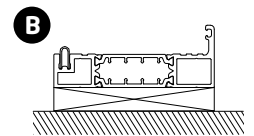
If possible, depending on situation on site, while fixing the frame, opened sash can be supported. If there is no support possibility, glass units can be removed in order to reduce total door weight. Follow glass unit removal instruction.



If the base is of concrete a DPC must be placed under the whole length of the threshold.



Use a hardening mastic in two runs between threshold and the base over the whole length.



**Step 1.1** Prepare the opening for installation. The entire base under threshold must be flat and level. Base must be tight/steady and tolerate heavy weight.

#### Depending on situation:

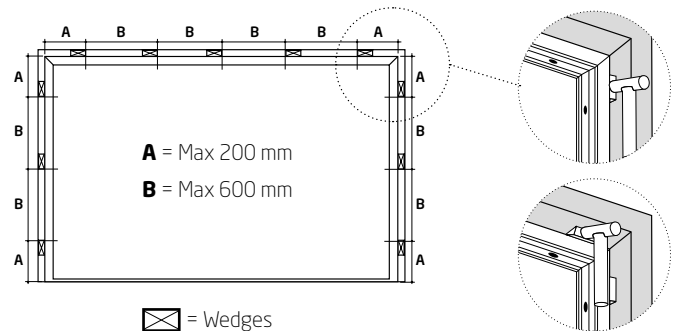
**A.** Base under the threshold can be flat, leveled and finished with insulation materials as PUR/PIR (eg. Warmotech or CompaCFoam) boards.

**B.** If bearing support will be chosen, it must be in level, bearing pads placed next to each fixing point on the threshold. Additional bearing must be placed beneath the right and left threshold's corners.

#### Step 1.2 Fix the frame with wedges into the wall opening.

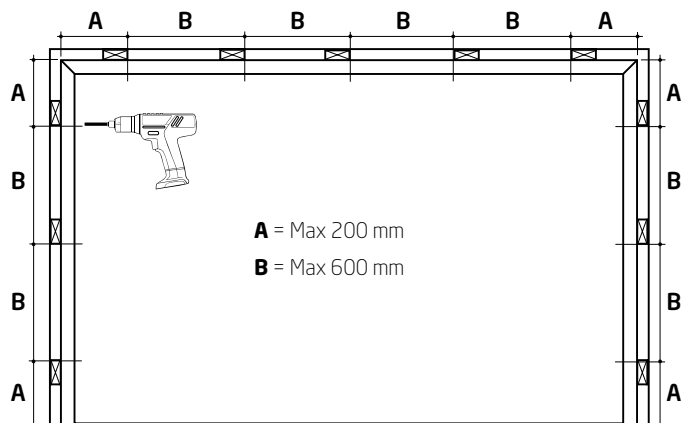
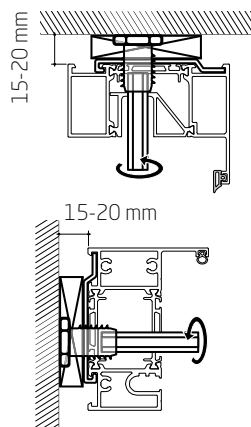
Wedges must be positioned next to each fixing point on the frame.

**NB!** The gap between the frame and the wall is recommended to leave: 15-20 mm



**Step 1.3** Fix the frame with adjufixes sleeves into the opening. Open the sash and support it while fixing the frame to opening with the help of Hexagonal screwdriver bit.

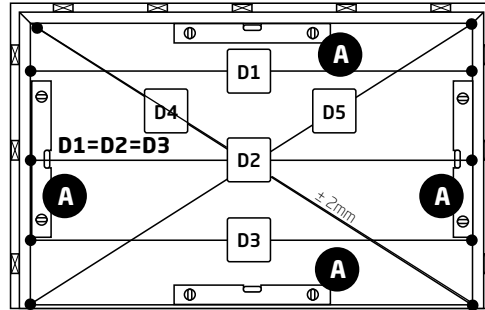
**Attention!** Always use wedges or setting blocks between door frame and wall regardless of chosen installation alternative.



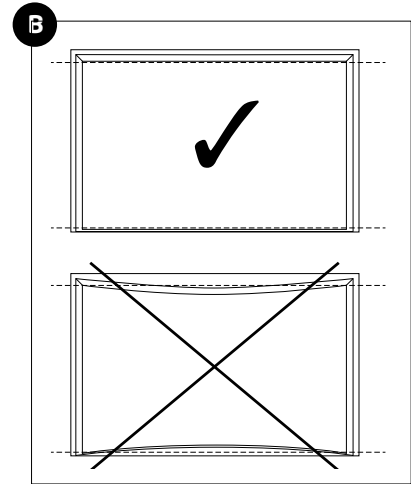
**Step 1.4** Ensure horizontal and vertical leveling of the frame.

**A:** Level out using a spirit level

**B:** In case of wide frame profiles, top and bottom frame leveling can be checked by using laser or string. Straighten string from one side to another to see if whole profile is level.

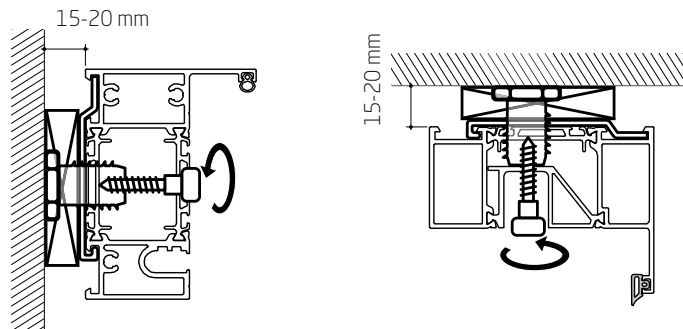
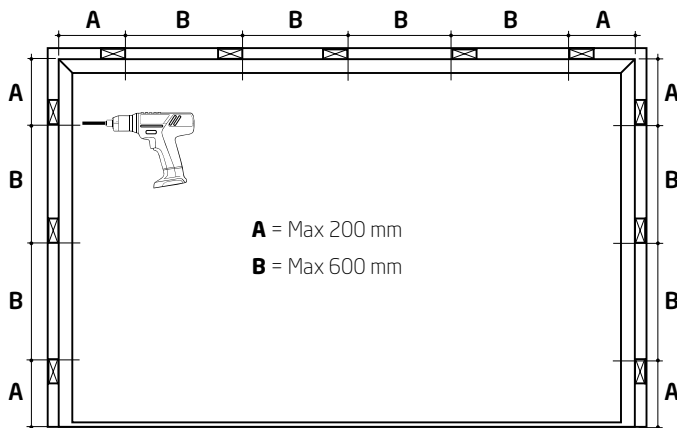


**D** = Distance  
**D4** = **D5** ( ± 2 mm)



## Step 2

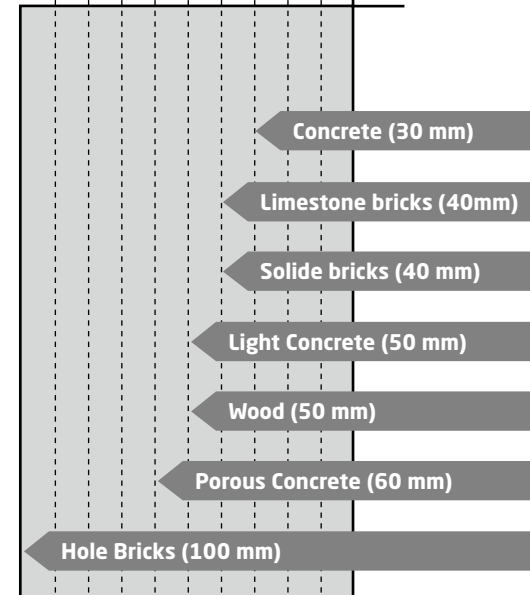
### Fasten the door



**Step 2.1** Screw bolts through the adjufix sleeves on the frame. Recommended distance and depth of drilling according to the type of the wall is shown in the scheme to the right. Cover pre-drilled holes with caps for finishing.

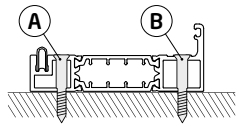
Depth of drilling according material:

100|90|80|70|60|50|40|30| mm

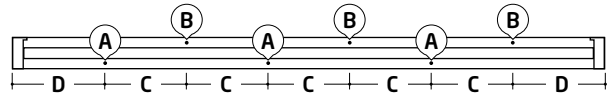


It is not recommended to fasten doors into wooden carcass due to the high risk of wood deformation due to environmental impact (Cold/ Heat)

**Step 2.2** Fasten the threshold. Screw bolts through pre-drilled holes on the threshold. Seal the screws with joint glue, eg. "Viscoseal 6958R".



**C** = 300 mm  
**D** = 200 mm



**Step 2.3** Ensure horizontal and vertical leveling of the frame. Follow STEP 1.4 instructions.

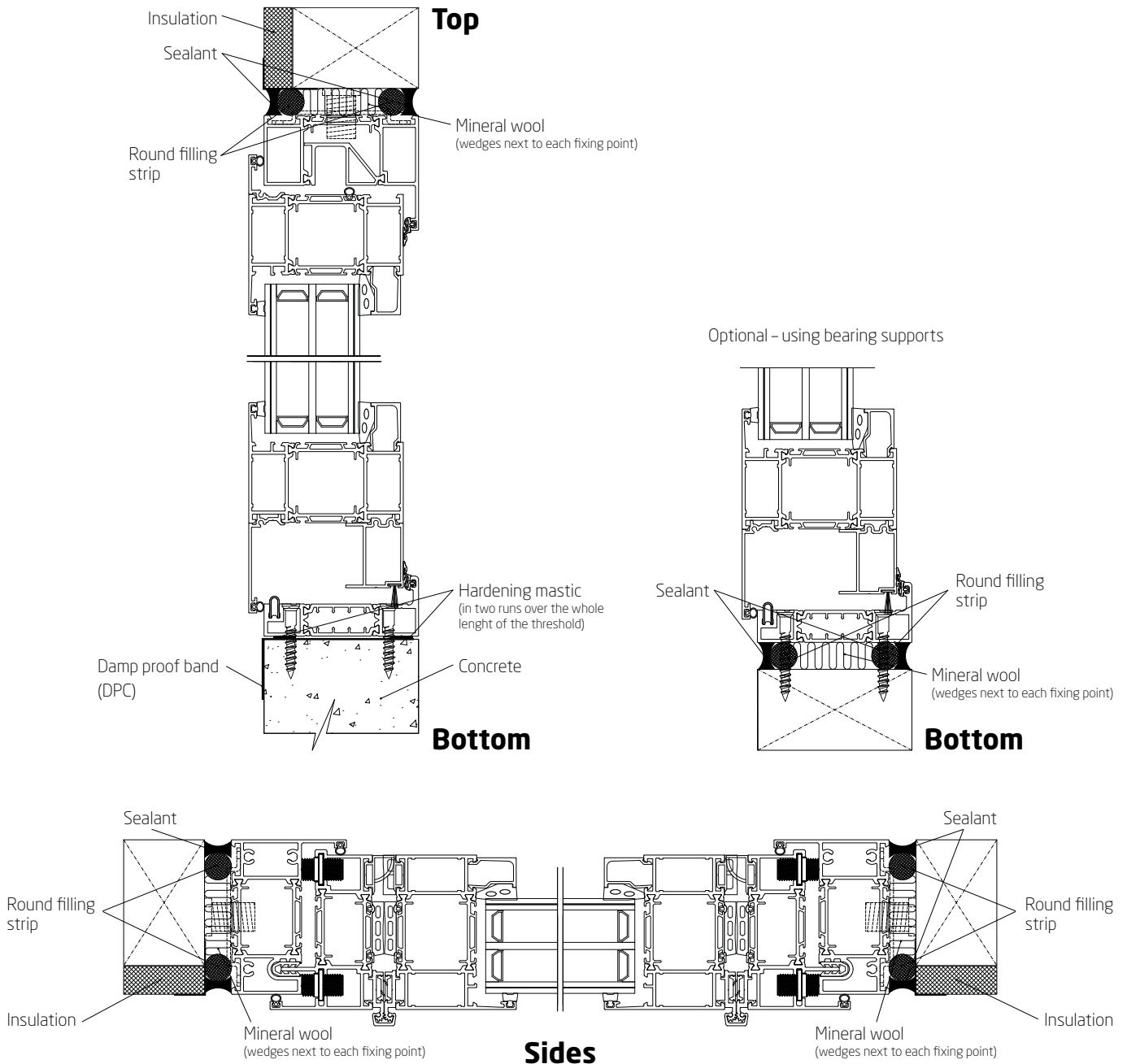
**Step 2.4** Install the glass units back to the frame if it was removed before installation. Follow glass installation instruction.

**Step 2.5** Check the functionality. If adjustment is needed follow adjustment manual. Correct adjustment can be achieved with glass units or/and sides of the frame. **NB!** Adjustment after installation works is responsibility of installers.

**Step 2.6** Seal the gap between the frame and wall.

**NB!** All the bearing pads and wedges should be left in places!

## HelAlu folding door sealing recommendations



- Principle of the sealing can vary depending on the type of the wall, where construction is installed in.
- Product should not protrude outside the insulation zone of the wall.
- Water run-off, wind/draught proofing between frame and wall must be carried out in accordance with byggforsk Norway details.